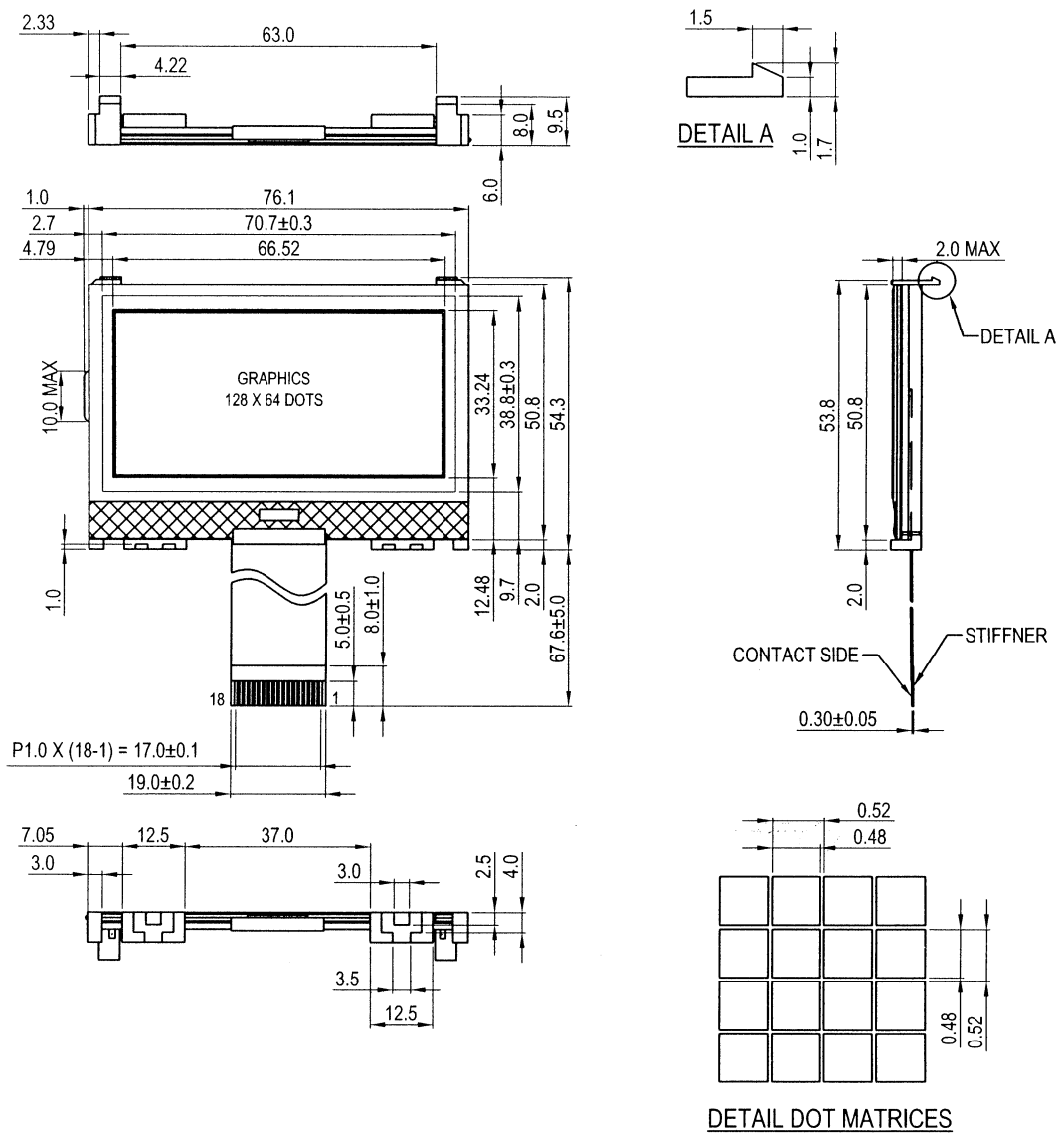


G64128X07OUTLINE DIMENSION AND ELECTRICAL SPECIFICATION



- NOTES:
- 1.VDD = 3.0V (TYP); 3.6V (MAX)
 - 3.IDD = 250uA (TYP)
 - 4.DUTY CYCLE = 1/64
 - 5.BIAS = 1/9
 - 6.CONTROLLER = S1D10605D
 - 7.CONNECTOR = HEATSEAL/FFC
 - 8.UNMARKED TOLERANCES = ±0.30mm

PIN ASSIGNMENT

PIN	1	2	3	4	5	6	7	8	9
SYMBOL	V _{SS}	V _{DD}	V ₀	RES	CS	RS	R/W	E	DB0

PIN	10	11	12	13	14	15	16	17	18
SYMBOL	DB1	DB2	DB3	DB4	DB5	DB6	DB7	A	K

BACKLIGHT OPTION

LED COLOR	OPTION	VOLTAGE(V)	FORWARD CURRENT(mA)		
			MIN	TYP	MAX
YELLOW GREEN	YES	4.1	-	60	120
WHITE	YES	4.0	-	60	80
BLUE	YES	4.0	-	60	80